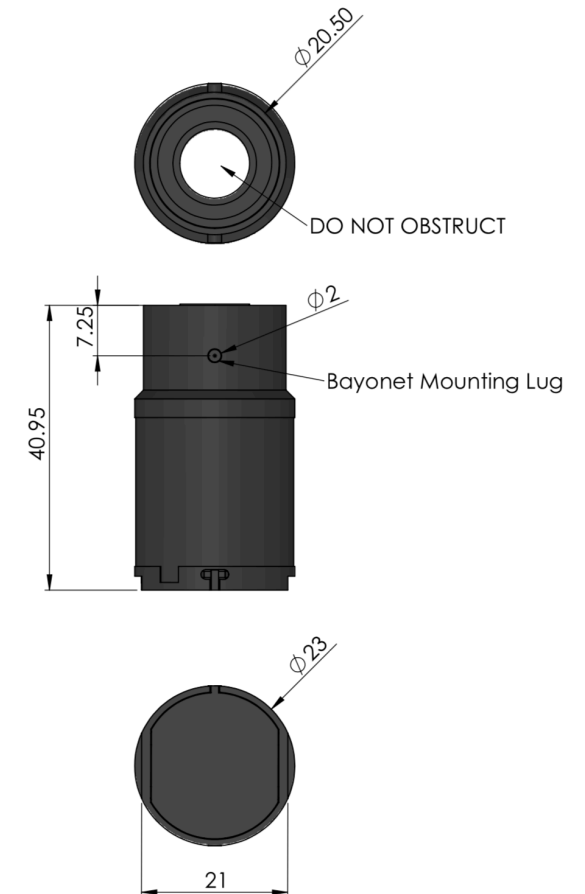


**Introduction** The S+2OX HO is a highly reliable, environmentally robust oxygen sensor designed for low O<sub>2</sub> concentration measurement.

**Key Features:** Robust to extreme environments and rapid pressure/temperature changes.

Performance Characteristics	
Output signal	1.10 ± 0.20 mA in air
Zero Current (Offset)	< 0.3% vol. O <sub>2</sub>
T90 Response Time	< 20 seconds
Measurement Range	0 - 25% Oxygen
Maximum Overload	30% Oxygen
Linearity	$S = K \log_e (1/1-C)$
Temperature Coefficient	0.2 % signal / °C
Pressure Coefficient	<0.02% signal / mBar

Environmental Details	
Temperature Range Continuous	-20°C to +45°C
Pressure Range	Atmospheric ± 10%
Operating Humidity Range (non-condensing)	0% to 99% RH



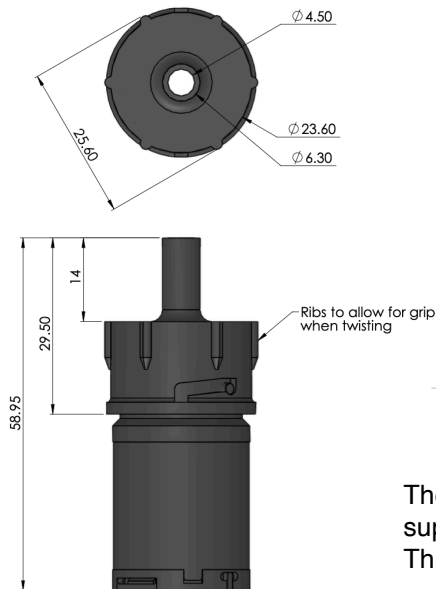
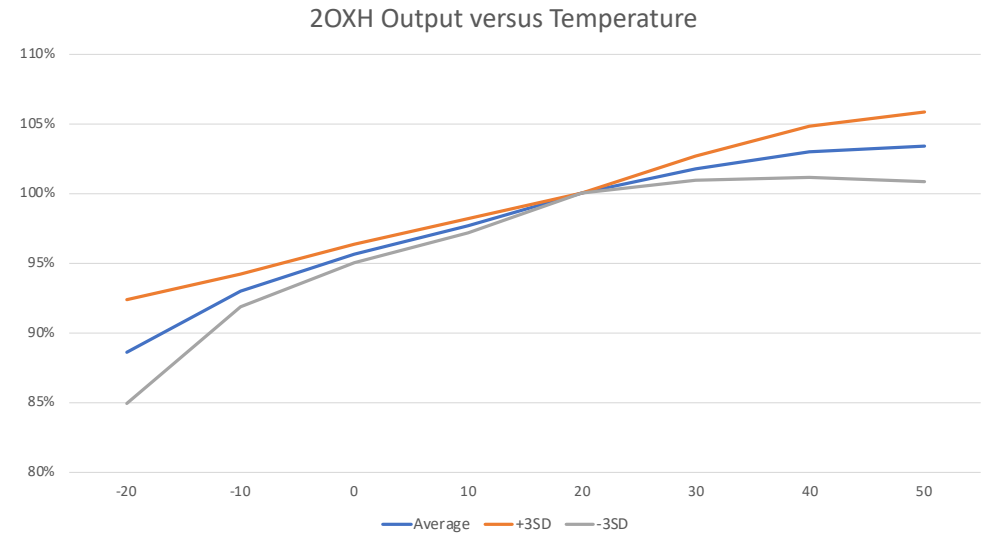
**Product Dimensions**  
All dimensions in mm  
All tolerances ±0.15 mm

**Important Note:**

All performance data is based on conditions at 20°C, 50%RH and 1 atm, using DD Scientific recommended circuitry.

Sensor performance is temperature dependent; please contact DD Scientific for temperature performance other than 20°C.

Lifetime Details	
Long Term Output Drift	< 5% over operating life
Recommended Storage Temp	0°C to 20°C
Expected Operating Life	9 months in air
Standard Warranty	9 months from date of dispatch



The S+2OXH oxygen sensor can be supplied with a bayonet fit nose adaptor. This part is designated S+2OXHO-N.

**WARNING:** By the nature of the technology used, any electrochemical gas sensor offered by DD Scientific can potentially fail to meet specification without warning. Although DD Scientific Ltd makes every effort to ensure the reliability of our products of this type, where life safety is a performance requirement of the product, we recommend that all sensors and instruments using these sensors are checked for response to gas before use.

Every effort has been made to ensure the accuracy of this document at the time of printing. In accordance with the company's policy of continued product improvement DD SCIENTIFIC Limited reserves the right to make product changes without notice. No liability is accepted for any consequential losses, injury or damage resulting from the use of this document or from any omissions or errors herein. The data is given for guidance only. It does not constitute a specification or an offer for sale. The products are always subject to a program of improvement and testing which may result in some changes in the characteristics quoted. As the products may be used by the client in circumstances beyond the knowledge and control of DD SCIENTIFIC Limited, we cannot give any warranty as to the relevance of these particulars to an application. It is the clients' responsibility to carry out the necessary tests to determine the usefulness of the products and to ensure their safety of operation in a particular application. Performance characteristics on this data sheet outline the performance of newly supplied sensors. Output signal can drift below the lower limit over time.